

Heavy Duty Cavity Temperature Sensors



- Extremely robust
- High temperature up to 320 °C
- Extremely fast response time
- Hardened sensor front (option)

Description and Application

Along with the cavity pressure sensor, the cavity temperature sensor plays an important role in monitoring and controlling the injection molding process. Thereby the melt front is automatically detected when it reaches the temperature sensor and used for controlling functions. In order to react as quick as possible, the reaction rate of the sensors has been optimized.

Most Heavy Duty cavity temperature sensors are available with a hardened sensor front, which increases the durability especially with usage the of abrasive and chemical aggressive melts.

The cavity temperature sensors are provided with a triaxial connector, which in practice is connected very easy and without positioning, and which simultaneously provides a high level on safety concerning the signal quality.

Engineering – Suggestion for Sensor Positioning

In most applications the Heavy Duty cavity temperature sensors were mounted in the end of the flow path e.g. for mold filling detection and for automatic hot runner balancing. For special purposes e.g. for cascade controlling they were specifically placed positions where it is beneficial to have a sensor to control molding functions. By using existing molds, error images of parts, filling studies, new projects, and filling simulations are a helpful way to correctly determine the best sensor location.

We gladly offer assistance in determining the best sensor locations.

Application	Mounting place suggestion
Automatic, viscosity independent switchover to holding pressure Automatic hot runner balancing and controlling Fill time and balancing time monitoring Automatic venting control Automatic shut-off nozzle control (e.g. LSR)	on the verge of the end of the flow path
Mold filling monitoring („Short Shots“)	in the absolute end of the flow path
Monitoring and controlling of the viscosity	after the cavity pressure sensor
Cavity temperature control	in any order
Core pull control Control of coining, gas-water-injection, etc.	on special position, depending on the application
Melt front depending cascade control	previous to the shut-off nozzles
Monitoring and control of the shrinkage	around the pressure sensor

Sensor Mounting

The mounting of the sensors occurs with a distance sleeve (standard), mounting nut or PRIAFIT® mounting sleeve.

During the mold design, it is important to ensure that the sensor cable is not too short so that the connector can be mounted on the side of the mold. The excess cable length must be placed in the cable channel why this may not be too small. By using the PRIAMUS® Multi Channel Connecting Boxes the remaining cable length can be placed in the connecting box.

The sensor connections should not be placed under the connections of the water lines.

The angles in the mold, around which the cables are placed, must be added with a phase ($3 \times 45^\circ$) or a radius (R2), therewith the cable will not be damaged.

The protecting cap has to be fixed on the mounting plate of the connector and should not be placed too close to the parting line of the mold so the connector does not get crushed by the mold closing.

Handling and Cleaning

The contact plug must be kept clean and dry to avoid false signals.




In the not connected status the protecting cap for the sensor must be plugged on. In the connected status the protecting cap will be connected with the cap of the connecting cable, therewith defilements in the protection caps will be avoided.

The sensors with mounted connecting cable can be cleaned in an ultrasonic bath (aqueous tenside solution) if a sealed protecting cap for the connector is used. The cleaning of the sensor front with dry ice is also possible.

Technical Data

Properties	Unit	Specifications
Thermocouple (not insulated)	type	N
Colors / polarity according to IEC 584-3	pink (NiCrSi) white (NiSi)	positive negative
Class		1
Maximum deviations according to IEC 584-3	(-40 ... 1000 °C)	dT = $\pm 0.004 \times T$ or ± 1.5 K
Standard operating temperature (sensor front)	°C	up to 600
Operating temperature range (cable)	°C	0...320
Operating pressure range	bar	0...2'000
Response time switchover to holding pressure and sequential control with PRIAMUS® amplifier (envelope curve procedure resp. absolute measuring procedure)	ms	4 (4030A / 4032A / 4034A) 20 (4036A)
Bending radius	mm	min. 21.75

Symbol Explanation

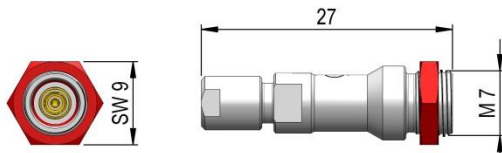
- With hardened sensor front 
- With machineable sensor front 
- For indirect measuring 

Variants

Type	Connector	Bending radius [mm]	Cable length in [m]	Connection to
4030Ax.x-101	Fischer KBE 101 fem., TRIAX	8	x.x = 0.2 / 0.4 / 0.6 / 0.8 / 1.0 / 2.0 / 3.0 / 4.0 / 5.0	Multi Channel Connecting Box 1194A-8T or Connecting cable 1141Ax 1149Bx Multi channel connecting cable 1145Ax 1146Bx 1147Bx 1159Bx
4030Asl-101			sl = special length	
4030Ax.x-101-H			x.x = 0.2 / 0.4 / 0.6 / 0.8 / 1.0 / 2.0 / 3.0 / 4.0 / 5.0	
4030Asl-101-H			sl = special length	
4032Ax.x-101			x.x = 0.2 / 0.4 / 0.6 / 0.8 / 1.0 / 2.0 / 3.0 / 4.0 / 5.0	
4032Asl-101			sl = special length	
4032Ax.x-101-H			x.x = 0.2 / 0.4 / 0.6 / 0.8 / 1.0 / 2.0 / 3.0 / 4.0 / 5.0	
4032Asl-101-H			sl = special length	
4034Ax.x-101			x.x = 0.2 / 0.4 / 0.6 / 0.8 / 1.0 / 2.0 / 3.0 / 4.0 / 5.0	
4034Asl-101			sl = special length	
4034Ax.x-101-H			x.x = 0.2 / 0.4 / 0.6 / 0.8 / 1.0 / 2.0 / 3.0 / 4.0 / 5.0	
4034Asl-101-H			sl = special length	
4036Ax.x-101			x.x = 0.2 / 0.4 / 0.6 / 0.8 / 1.0 / 2.0 / 3.0 / 4.0 / 5.0	
4036Asl-101			sl = special length	

One Pin TRIAX Connector

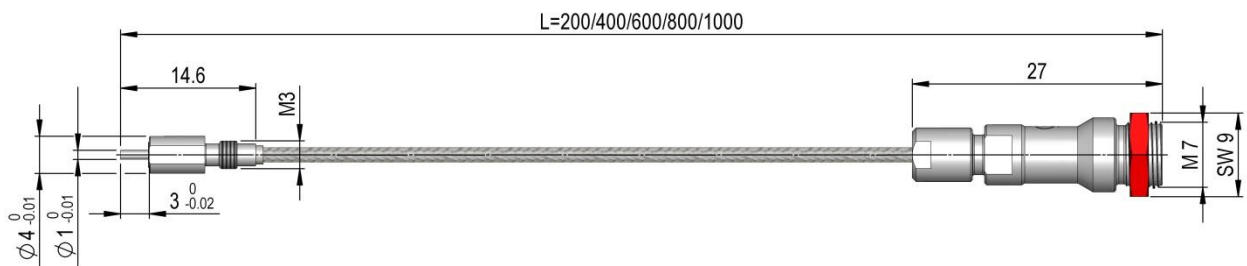
Easy connection by TRIAX format



Fischer Type KBE 101 female TRIAX

Dimensions Heavy Duty Cavity Temperature Sensors with Cable and Connector

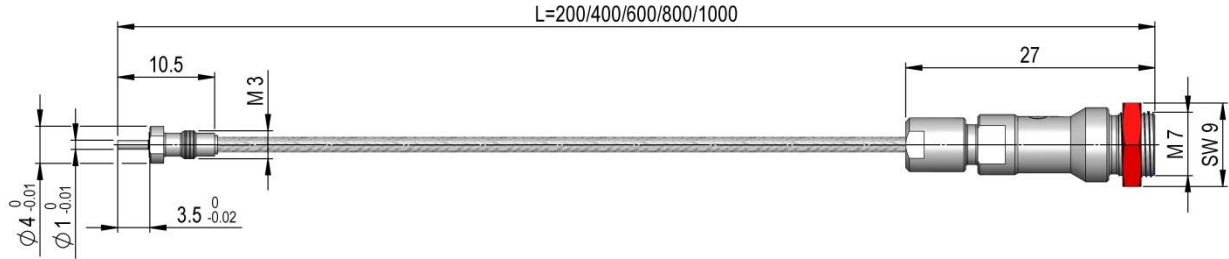
Type 4030Ax.x-101(-H)



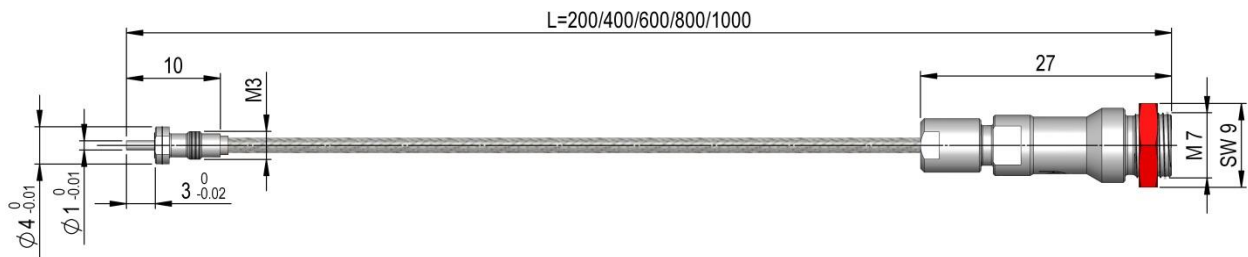
BLUELINE

Type 4032Ax.x-101(-H) with machinable sensor front

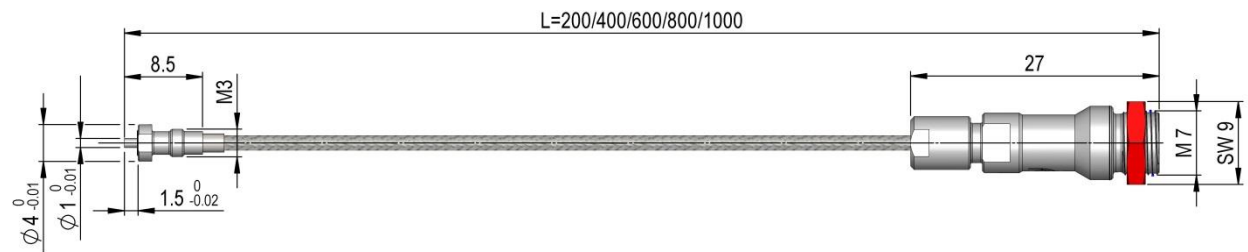
The dimension from the lowest point of manufacturing to the sensor shoulder must imperatively be manufactured 3.1 mm +0.1/-0.



Type 4034Ax.x-101(-H)



Type 4036Ax.x-101 Prisolaris™ - Sensor for indirect measuring

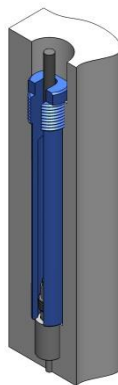


Examples for Installation Situation

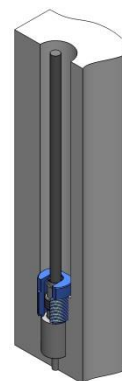
Standard
Distance sleeve



Alternative 1
PRIAFIT® Mounting sleeve



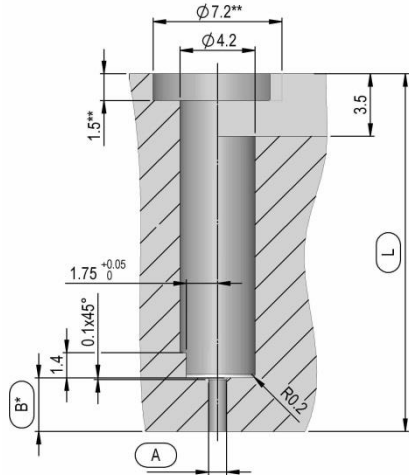
Alternative 2
Mounting nut



BLUELINE

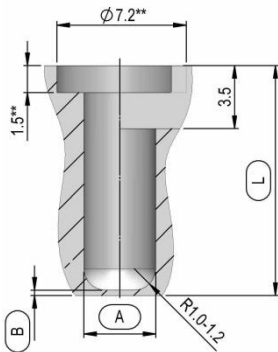
Mounting Holes Standard with Distance Sleeve

Heavy duty cavity temperature sensors include a distance sleeve in the scope of delivery. Distance sleeves should be trimmed to the desired length.



* = Adjust dimension
** = We recommend creating a recessed hole around the distance sleeve so that it is possible to remove the distance sleeve after it is installed.

Type	A ^{0.01/0}	B*	L with 4523A	L with 4523A0.08	L with 4523A0.12	L with 4523A0.16
4030Ax.x-101(-H)	1	3	20 – 49	20 – 89	20 – 129	20 – 169
4032Ax.x-101(-H)	1	3.5	16 – 45	16 – 85	16 – 125	16 – 165
4034Ax.x-101(-H)	1	3	15.5 – 44.5	15.5 – 84.5	15.5 – 124.5	15.5 – 164.5

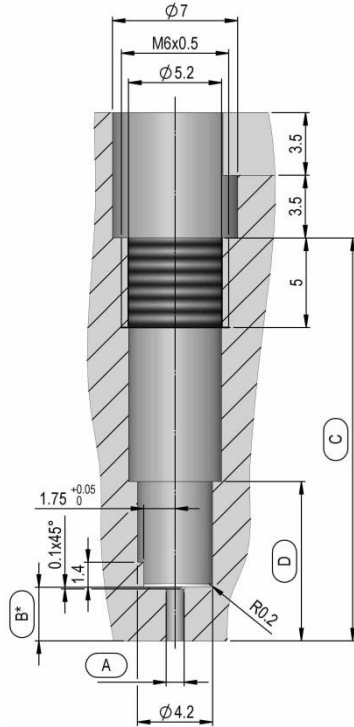


** = We recommend creating a recessed hole around the distance sleeve so that it is possible to remove the distance sleeve after it is installed.

Type	A ^{0.1/0.05}	B ^{0/-0.05}	L with 4523A	L with 4523A0.08	L with 4523A0.12	L with 4523A0.16
4036Ax.x-101	4	0.3	9.3 – 43.3	9.3 – 83.3	9.3 – 123.3	9.3 – 163.3

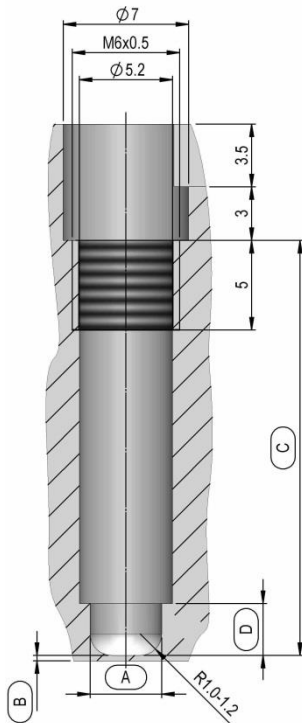
Mounting Holes Alternative 1 with PRIAFIT® Mounting Sleeve

PRIAFIT® mounting sleeves are a combination of a distance sleeve and a mounting nut. They simplify the mounting of the Heavy duty cavity temperature sensors by adding the benefits of both the distance sleeve and the mounting nut. They eliminate the need of having the distance sleeve be a defined fit, and also allow threads to be added to the bore hole mouth.



* = Adjust dimension

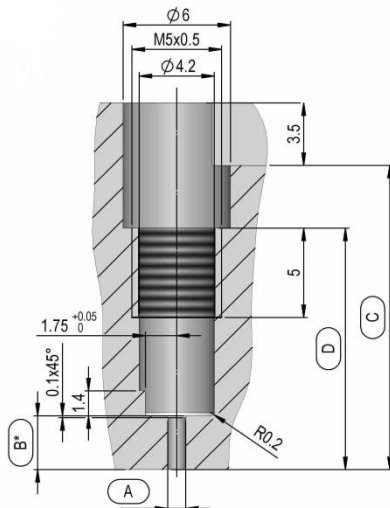
Type	A ^{0.01/0}	B*	C for 4532A	C for 4532A0.08	C for 4532A0.12	C for 4532A0.16	D
4030Ax.x-101(-H)	1	3	20.5 – 47.5	20.5 – 87.5	20.5 – 127.5	20.5 – 167.5	8.9
4032Ax.x-101(-H)	1	3.1-3.5	16.5 – 43.5	16.5 – 83.5	16.5 – 123.5	16.5 – 163.5	4.9
4034Ax.x-101(-H)	1	3	16 - 43	16 - 83	16 - 123	16 - 163	4.4



Type	A ^{0.1/0.05}	B ^{0/-0.05}	C for 4532A	C for 4532A0.08	C for 4532A0.12	C for 4532A0.16	D
4036Ax.x-101	4	0.3	11.5 – 38.5	11.5 – 78.5	11.5 – 118.5	11.5 – 158.5	2.9

Mounting Holes Alternative 2 with Mounting Nut

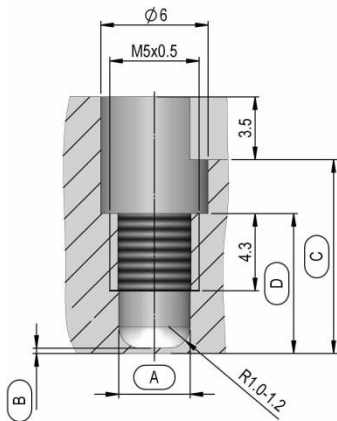
Especially if mounting Heavy Duty cavity temperature sensors into movable mold components, e.g. slides, mounting nuts are used primarily.



* = Adjust dimension

Type	A ^{0.01/0}	B*	C min.	D
4030Ax.x-101(-H)	1	3	17	13.5
4032Ax.x-101(-H)	1	3.1-3.5	12.5	9
4034Ax.x-101(-H)	1	3	12.5	9

BLUELINE



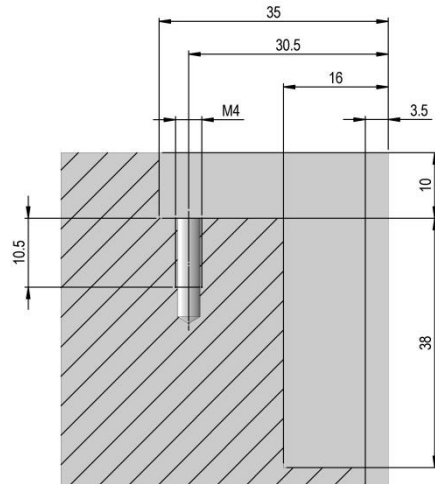
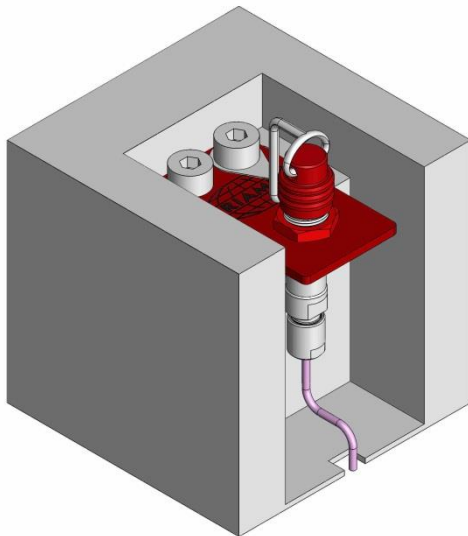
Type	A ^{0.1/0.05}	B ^{0/-0.05}	C min.	D
4036Ax.x-101	4	0.3	10.8	7.8

Mounting of the Heavy Duty Cavity Temperature Sensors with Mounting Nut or PRIAFIT® Mounting Sleeve

By mounting with mounting nut or PRIAFIT® mounting sleeve the sensors were put on with the following tightening torques.

Sensor	Tightening torques
All Heavy Duty cavity temperature sensors	1.0 Nm (with mounting nut type 4545A and PRIAFIT® mounting sleeve type 4532A)

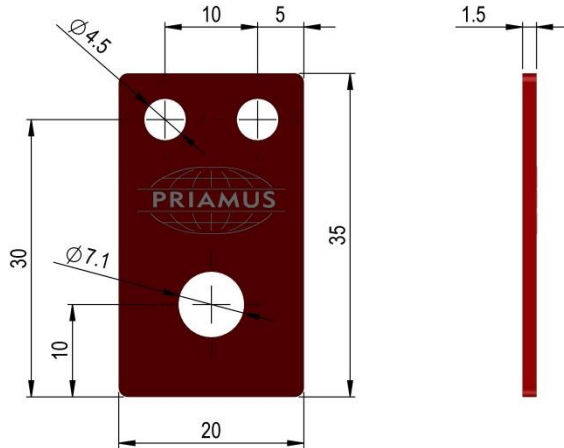
Installation Situation – Connector with Mounting Plate



Scope of Delivery

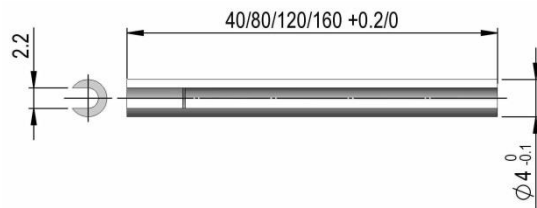
Article	Type	Article	Type
Distance sleeve (l = 0.04 m)	4523A	Identification plate	-
Mounting plate	4584A		

Mounting plate type 4584A



Distance sleeve type 4523A

(4523A0.08 / 4523A0.12 / 4523A0.16 not included in the scope of delivery, see accessories)



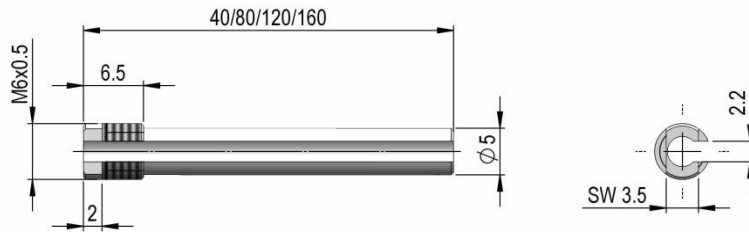
Accessories (Optional)

Connecting and extension cables

Type	Coat	Bending radius [mm] (* bundled)	Connector (¹ TRIAx / ² Code 2)	Number of channels
Connecting cables:				
1141A	Plastic	11	Fischer Type S 101 male ¹⁾ – Fischer Type S 101 male ¹⁾	1
1149B	Metal hose	20	Fischer Type S 101 male ¹⁾ – Fischer Type S 101 male ¹⁾	1
Multi pin connecting cables:				
1144A	Plastic	50	Fischer Type S 104 fem. 19-pin ²⁾ – Fischer Type S 104 fem. 19-pin ²⁾	8
1145A	Plastic	11	Fischer Type S 104 fem. 19-pin ²⁾ – 1 x Fischer Type S 101 male ¹⁾	1
1146B	Plastic	11 (20*)	Fischer Type S 104 fem. 19-pin ²⁾ – 2 x Fischer Type S 101 male ¹⁾	2
1147B	Plastic	11 (25*)	Fischer Type S 104 fem. 19-pin ²⁾ – 4 x Fischer Type S 101 male ¹⁾	4
1159B	Metal shield	8 (35*)	Fischer Type S 104 fem. 19-pin ²⁾ – 8 x Fischer Type S 101 male ¹⁾	8
Extension cable:				
1142B	Metal hose	20	Fischer Type S 101 male ¹⁾ – Fischer Type KBE 101 fem ¹⁾	1

Article	Type	Article	Type
PRIAFIT® mounting sleeve l = 0.04 m l = 0.08 m l = 0.12 m l = 0.16 m	4532A 4532A0.08 4532A0.12 4532A0.16	Distance sleeve l = 0.08 m l = 0.12 m l = 0.16 m	4523A0.08 4523A0.12 4523A0.16
Mounting nut	4545A	Mounting / extraction tool for sensor	4576A
Assembly tool for mounting sleeve	4578A	Assembly tool for mounting nut	4575B
Dummy for - 4030A - 4032A - 4034A - 4036A	4531A 4533A 4534A 4536A	Multi channel connecting box	1194A-8T
BlueLine amplifier	5080A-xT	BlueLine amplifier	5070A-2p2T

PRIAFIT® mounting sleeve type 4532A / 4532A0.08 / 4532A0.12 / 4532A0.16



Mounting nut type 4545A

